

DETAILS

Product Number	FP14415_LISA2-O-CLIP
Family	Lisa
Type	Assembly
Color	black
Diameter	10 mm
Height	7,13 mm
Style	round
Optic Material	PMMA
Holder Material	
Fastening	clips
Status	production ready
ROHS Compliant	Yes
Date Updated	9/11/2016



OPTICAL PROPERTIES

LED	Viewing	Light	Effi-		Connector
	Angle	Beam	ciency	cd/lm	
XP-G2	44+23 deg		81 %	1.930	-
XT-E	sim: 41+21		sim: 80 %	sim: 2.330	-
XP-G3	45+28 deg		75 %	1.526	-
Z8Y22P	sim: 40+25		sim: 75 %	sim: 1.730	-

D

C

B

A

4

4

3

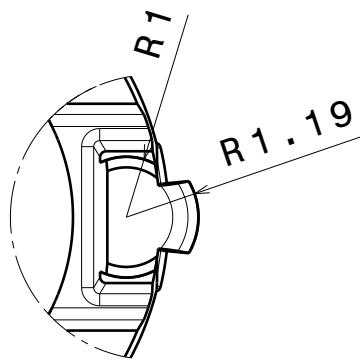
3

2

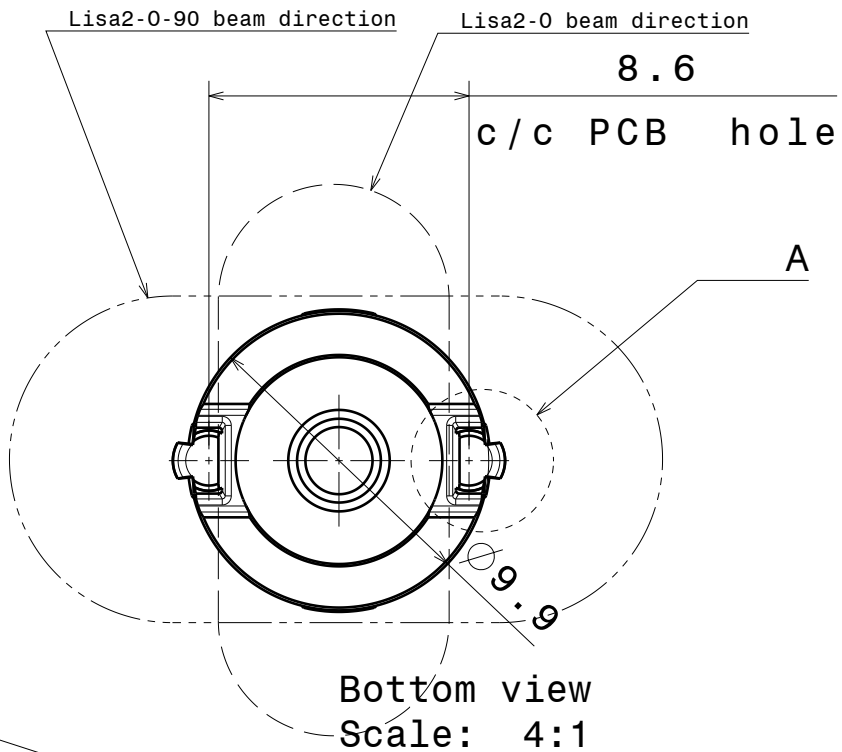
2

1

1



Detail A
Scale: 8:1

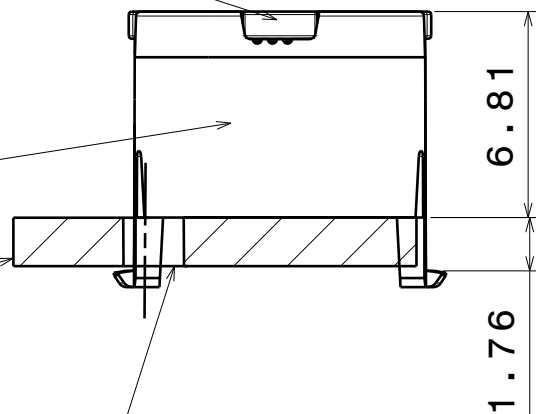


Bottom view
Scale: 4:1

Lens

Holder

Reference PCB



Front view
Scale: 4:1

Materials:
Lens PMMA
Holder PC

Note:
Take tolerances
into account
when specifying
positioning
holes for PCB

This drawing is our property.
It can't be reproduced
or communicated without
our written agreement.



Ledil Oy
Tehdaskatu 13
FIN-24100 SALO
Finland

DRAWING TITLE

Datasheet Lisa2-clip16-XP series Assy

DRAWN BY
ch

DATE
20.7.2011

CHECKED BY
sn

DATE
20.7.2011

SIZE
A4

DRAWING NUMBER

REV
2

DESIGNED BY
hh

DATE
19.10.2009

SCALE

4:1

WEIGHT (g)

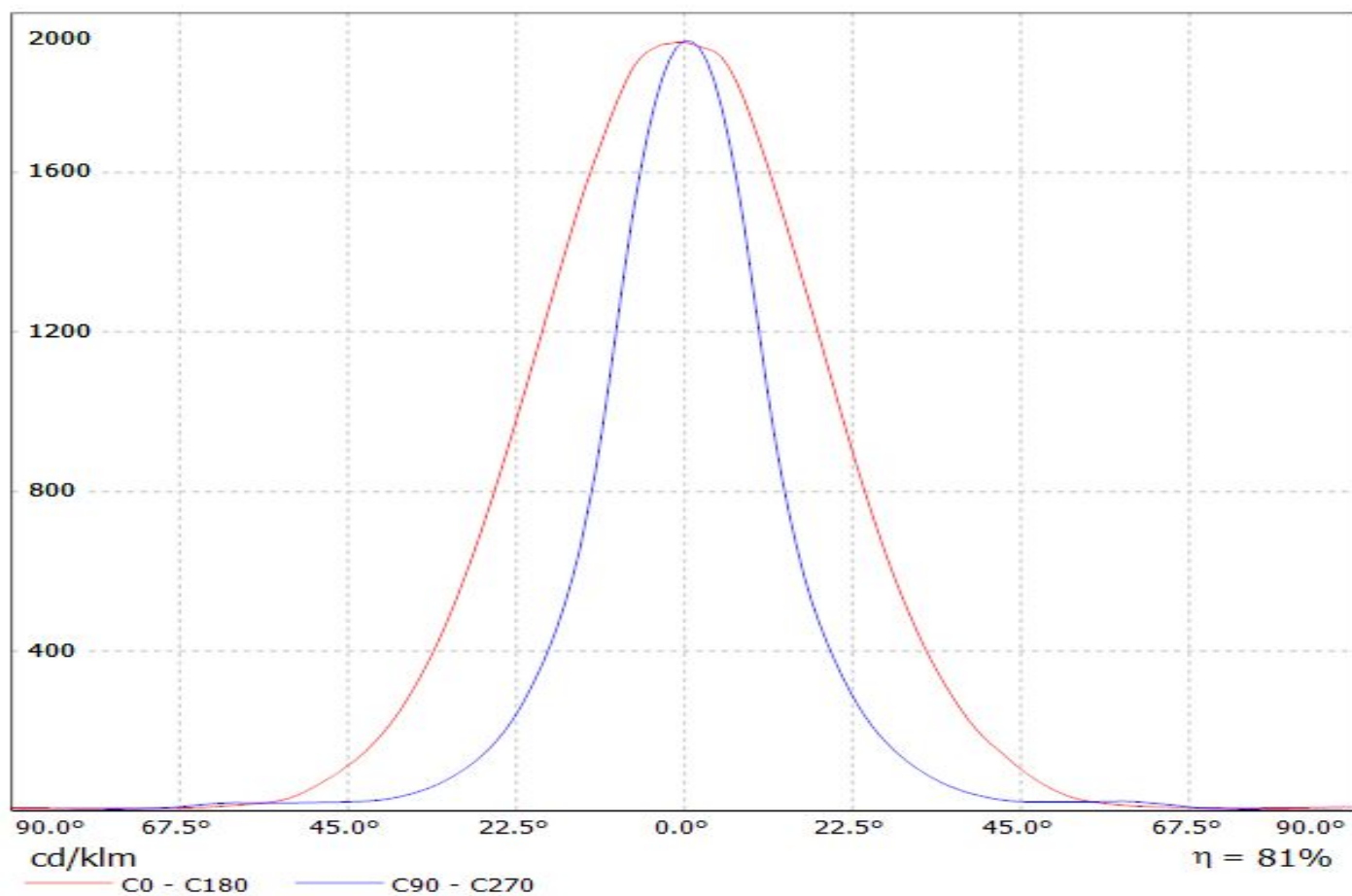
SHEET

1/1

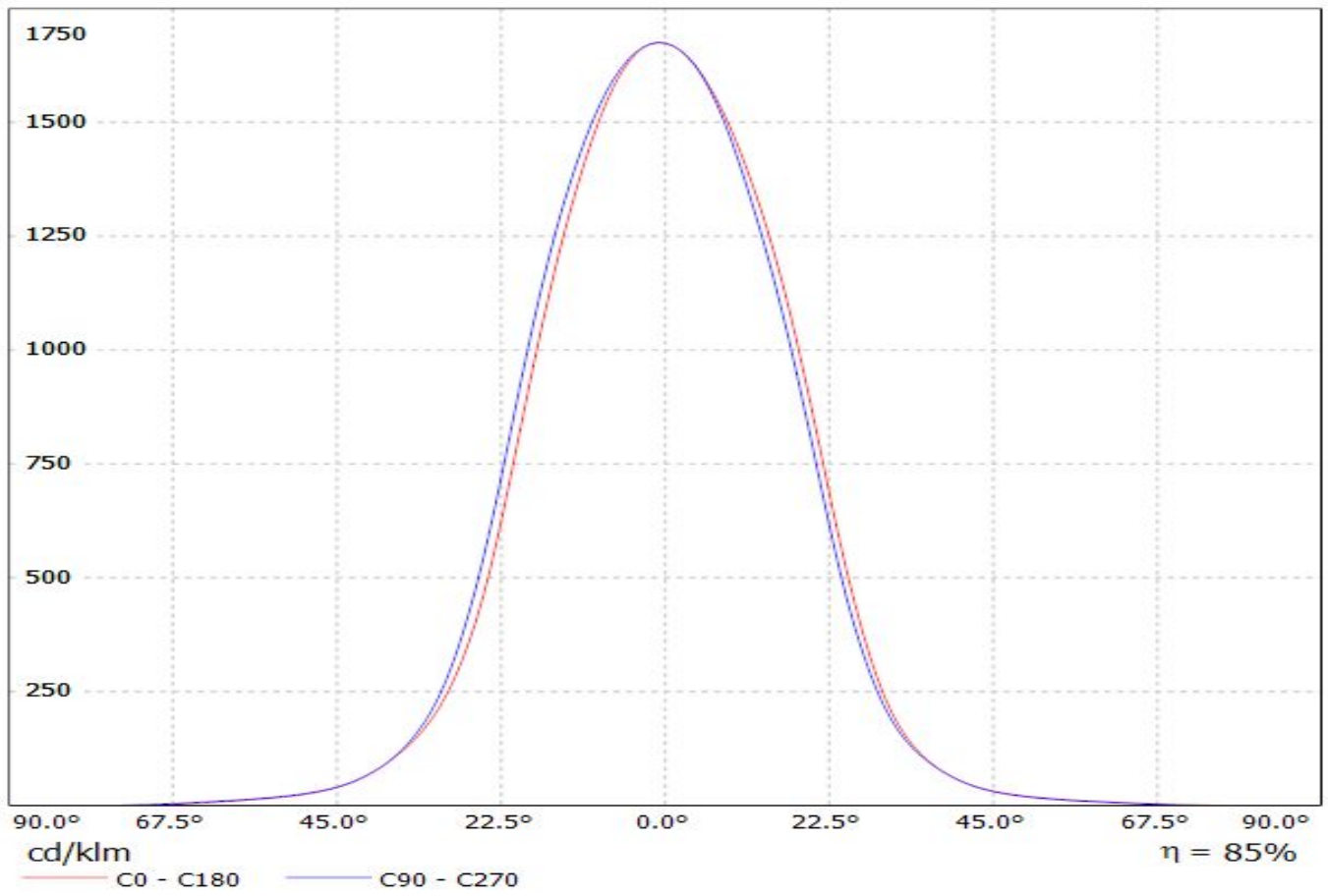
D

A

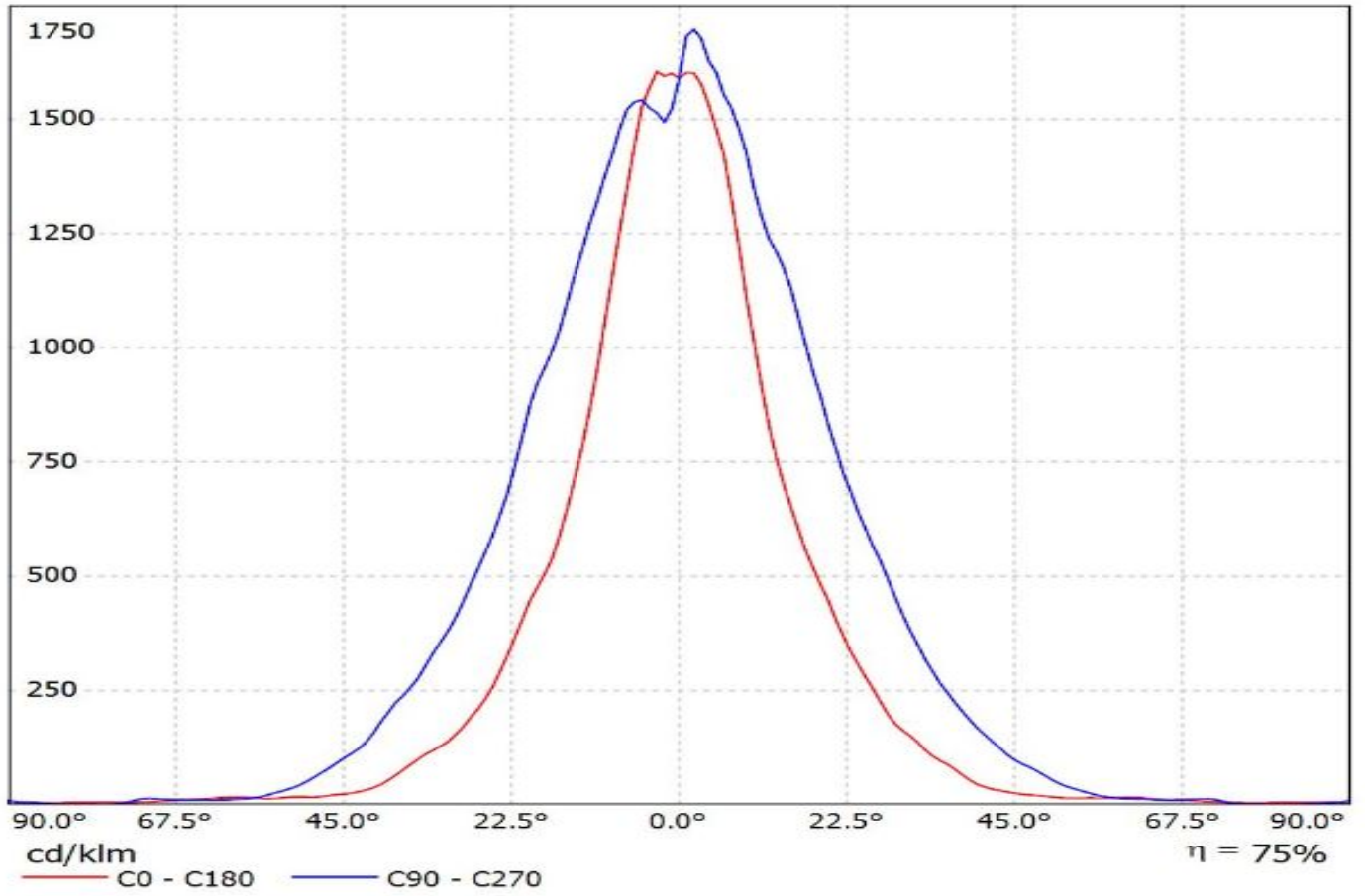
Luminaire: LEDiL Oy FP14415_LISA2-O-CLIP_(XP-G2) Eff.81.2%
Lamps: 1 x CREE_XP-G2_(XPGBWT-H1-7B4-R4-0-04)_100.625lm@250mA_P=0.755898W_I=249.9mA



Luminaire: Ledil Oy
Lamps: 1 x

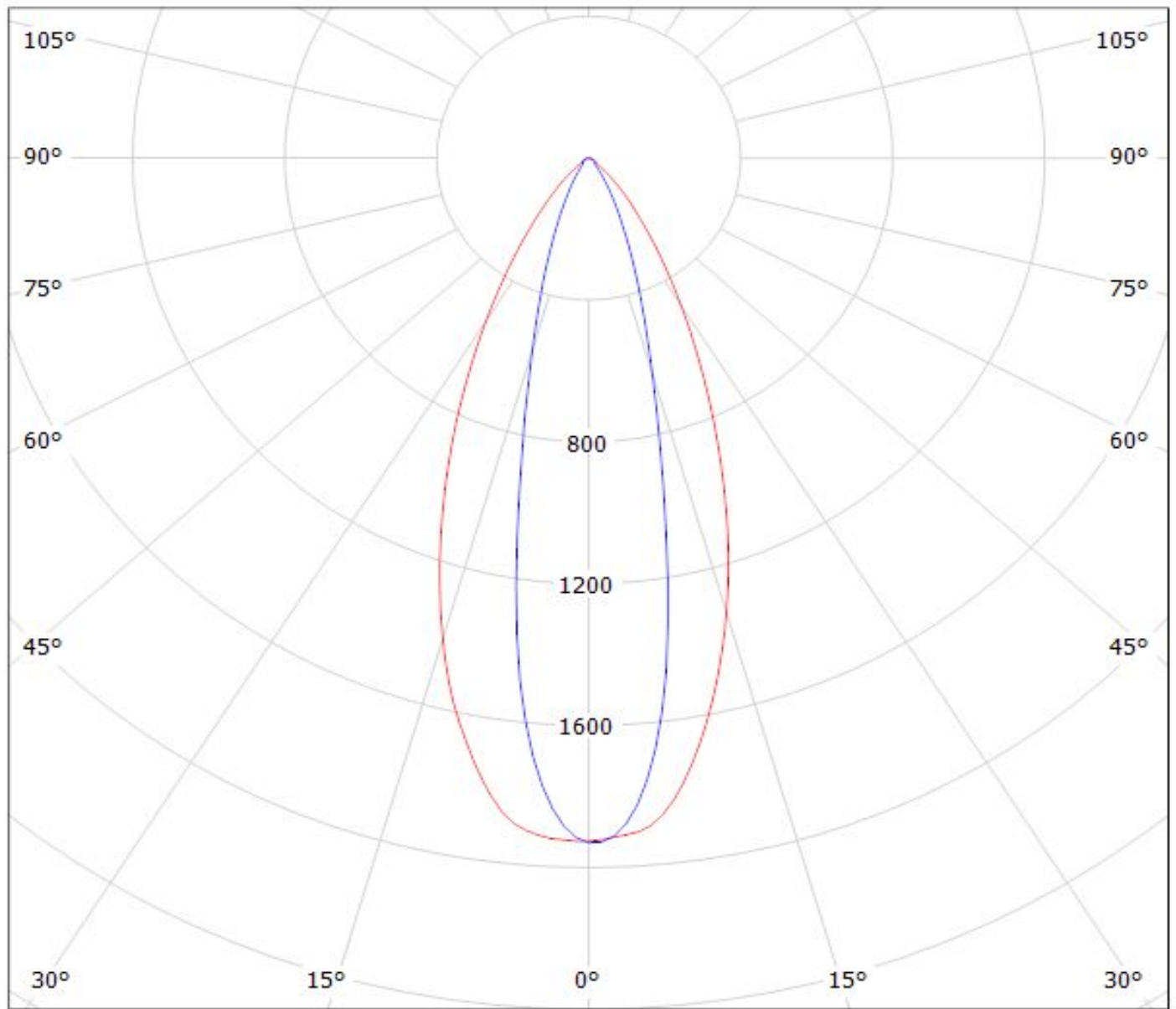


Luminaire: Ledil Oy FP14415_LISA2-O-CLIP_Seoul_Z8Y22P_SIMULATED
Lamps: 1 x Seoul Z8Y22P



Luminaire: LEDiL Oy FP14415_LISA2-O-CLIP_(XP-G2) Eff.81.2%

Lamps: 1 x CREE_XP-G2_(XPGBWT-H1-7B4-R4-0-04)_100.625lm@250mA_P=0.755898W_I=249.9mA

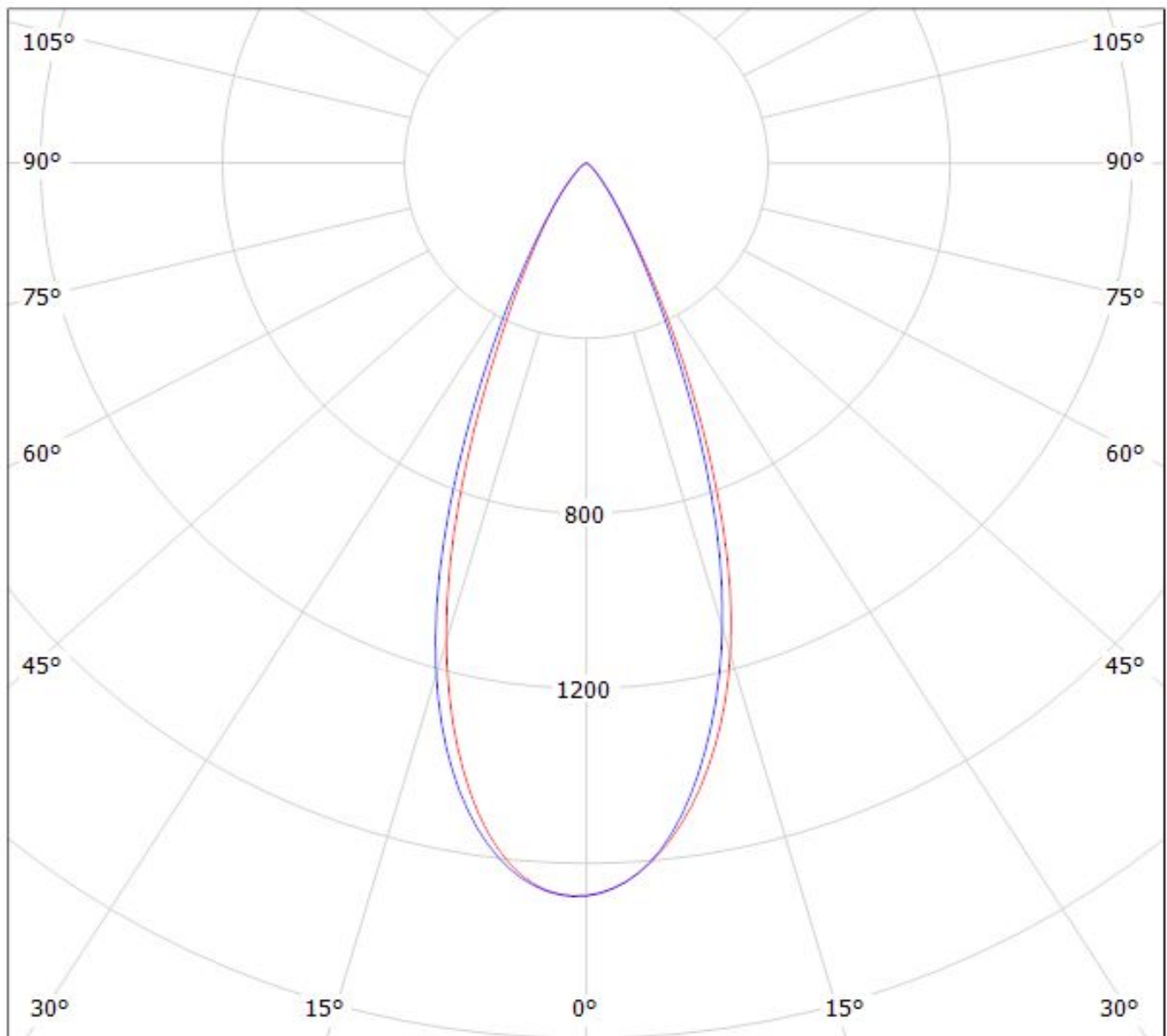


cd/klm

— C0 - C180 — C90 - C270

$\eta = 81\%$

Luminaire: Ledil Oy
Lamps: 1 x



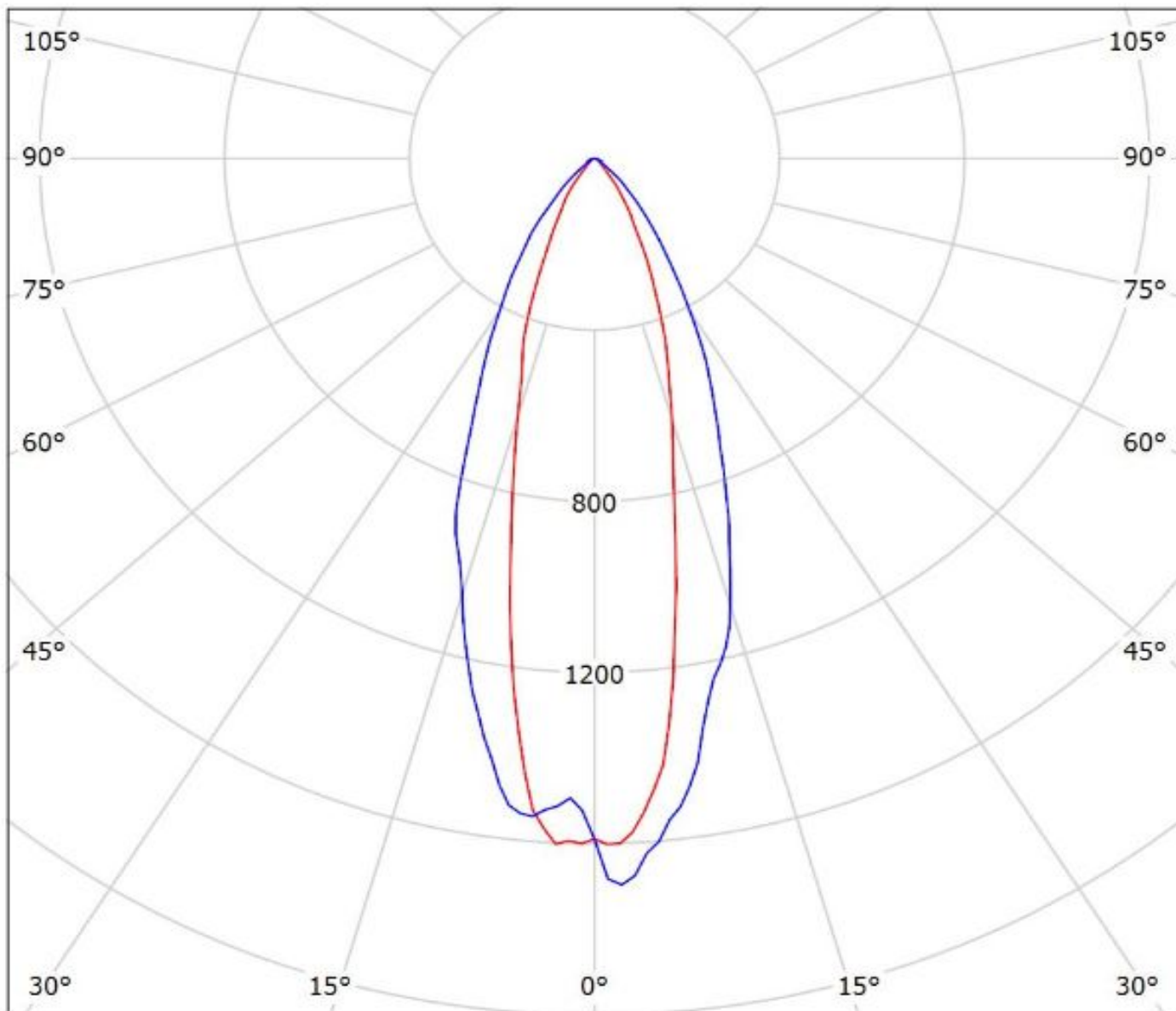
cd/klm

— C0 - C180

— C90 - C270

$\eta = 85\%$

Luminaire: Ledil Oy FP14415_LISA2-O-CLIP_Seoul_Z8Y22P_SIMULATED
Lamps: 1 x Seoul Z8Y22P



cd/klm

— C0 - C180 — C90 - C270

$\eta = 75\%$

NOTE: The typical divergence will be changed by different color, chip size and chip position tolerance. The typical total divergence is the full angle measured where the luminous intensity is half of the peak value.