

DETAILS

Product Number	FP11853_LISA2-O-90-PIN
Family	Lisa
Type	Assembly
Color	black
Diameter	9,9 mm
Height	6,6 mm
Style	round
Optic Material	PMMA
Holder Material	
Fastening	glue, pin
Status	production ready
ROHS Compliant	Yes
Date Updated	31/08/2015



OPTICAL PROPERTIES

LED	Viewing	Light	Effi-		
	Angle	Beam	ciency	cd/lm	Connector
LUXEON Rebel	48+19 deg	O-90	83 %	-	-
LUXEON Rebel ES	48+20 deg	O-90	81 %	1.900	-
LUXEON A	48+20 deg	O-90	-	-	-

D

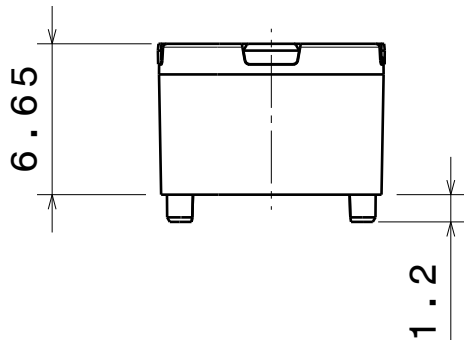
C

B

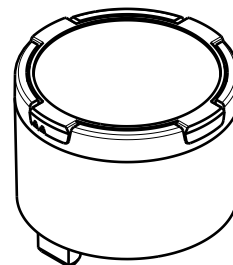
A

4

4



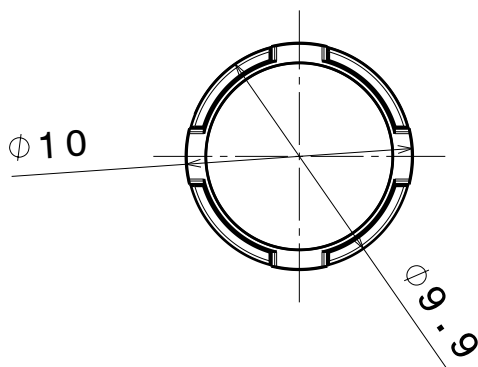
Front view



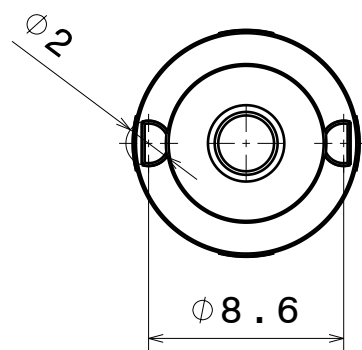
Isometric view

3

3



Top view



Bottom view

2

2

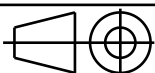
INDEX	PART NO	DESCRIPTION	MATERIAL	COLOUR
1	F10985	LISA2-M	PMMA	clear
2	F10991	LISA2-HLD-PIN-OSL	PC	black

Tolerances if not otherwise shown
 According to DIN ISO 2768-1
 Linear measures: class C
 According to DIN ISO 2768-2
 Form and position: class L

LEDiL

Ledil Oy
 Salorankatu 10
 FIN 24240 SALO
 Finland

THIRD ANGLE PROJECTION:



DRAWING TITLE

FP11001_LISA2-M-PIN

This drawing is the property
 of LEDiL Oy. It may not be
 reproduced, copied or
 communicated without a written
 agreement with LEDiL Oy.

SIZE PART NUMBER

A4

FP11001

SCALE

3:1

WEIGHT

0,45 g

SHEET

1/1

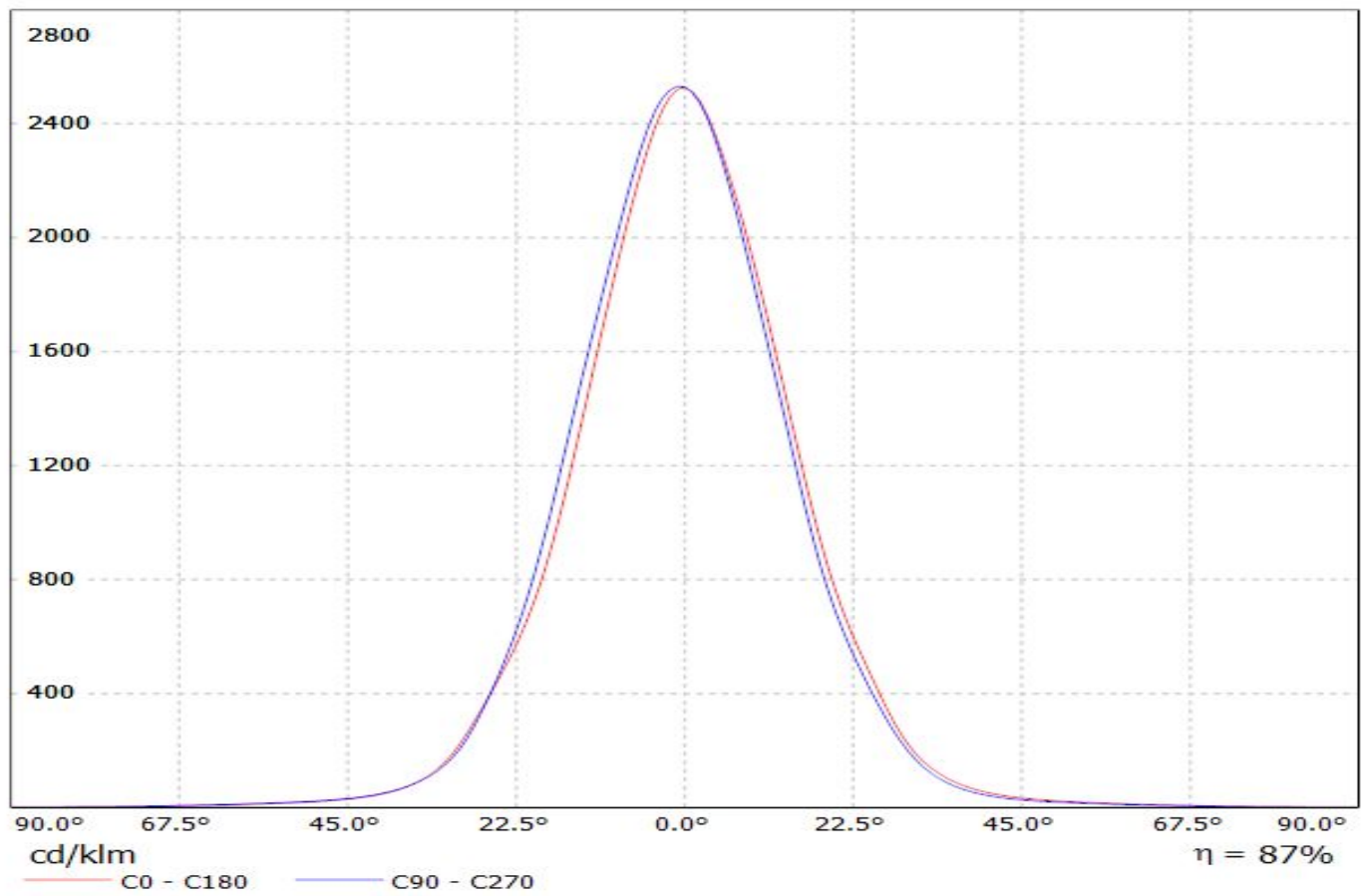
1

1

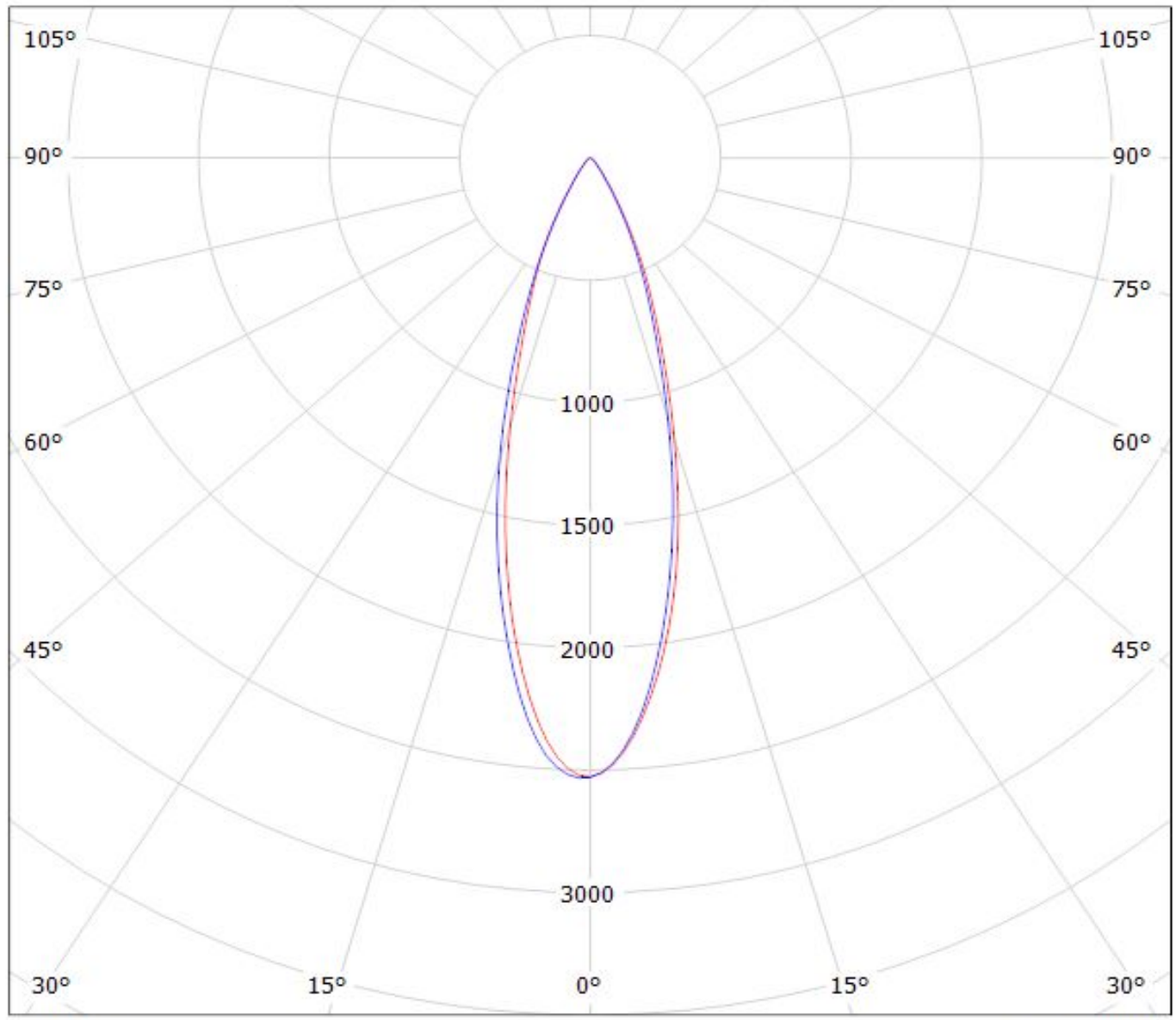
D

A

Luminaire: LEDiL Oy Lisa2-M-PIN/CLIP_(Oslon_Square_EC)
Lamps: 1 x Oslon Square EC CCT:3000K 79lm@250mA



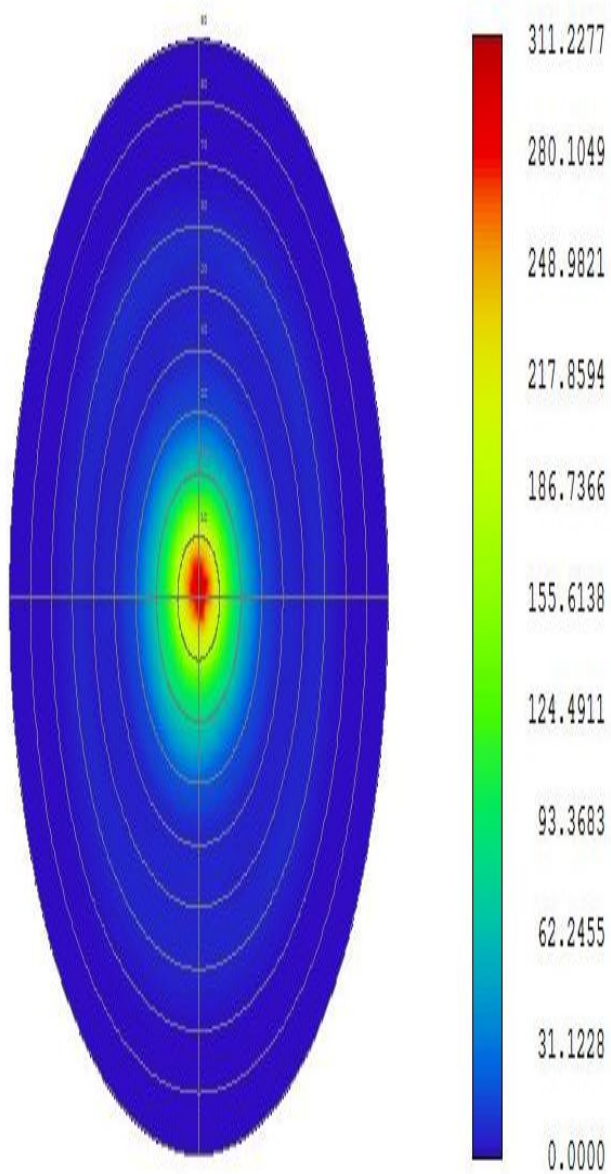
Luminaire: LEDiL Oy Lisa2-M-PIN/CLIP_(Oslon_Square_EC)
Lamps: 1 x Oslon Square EC CCT:3000K 79lm@250mA



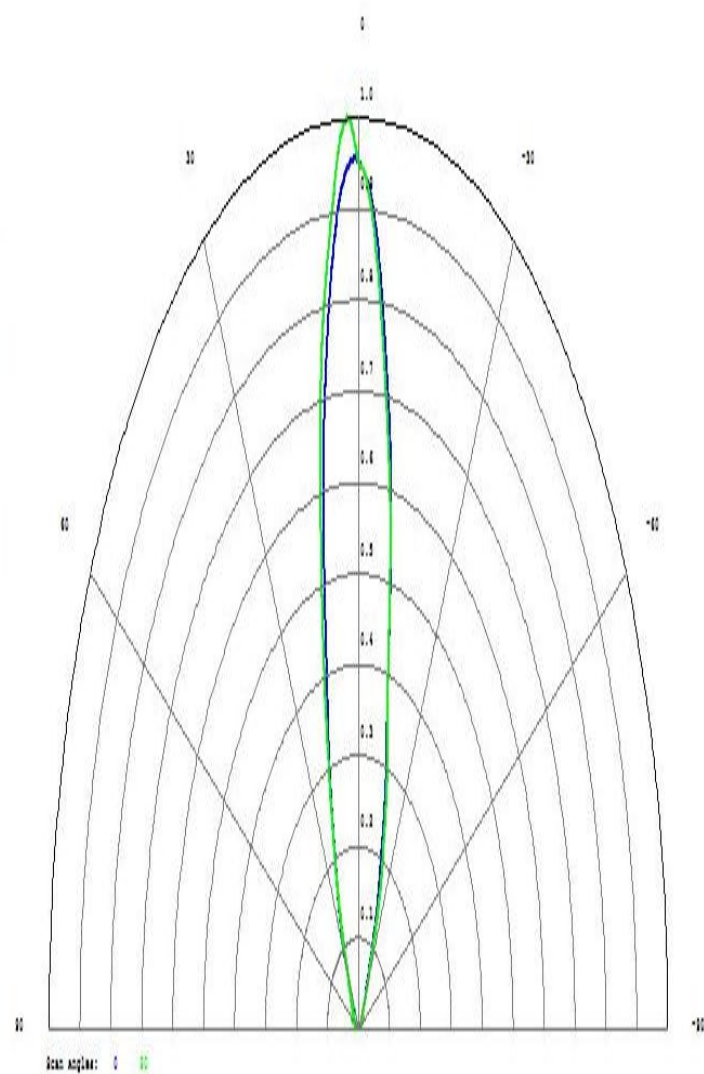
cd/klm

— C0 - C180 — C90 - C270

$\eta = 87\%$



Detector Image: Radiant Intensity



Detector Image: Radiant Intensity

NOTE: The typical divergence will be changed by different color, chip size and chip position tolerance. The typical total divergence is the full angle measured where the luminous intensity is half of the peak value.