



Cyclops

WM.80.B.305111

Specification

Part No.	WM.80.B.305111
Product Name	Cyclops 169MHz 0dBi Wall Mount Flexible Whip Monopole Omni-Directional Antenna SMA Male connector
Feature	1/4 Wavelength Flexible Inner Steel Core Whip Completely IP67, Robust Structure, Aesthetic 3M CFD-200 SMA(M)ST Cable is hidden internally RoHS compliant



1. Introduction

The WM.80 is a 0dBi 169MHz ISM band 1/4 wavelength monopole flexible whip antenna with omni-directional pattern optimized in the azimuth for wide coverage range in typical 169 MHz applications such as Wireless M-Bus metering. It also finds its usage in remote asset monitoring applications, alarms, paging systems and private mobile radio services.

This antenna delivers wider coverage areas and more reliable connections for professional customers in the automotive,

industrial industries. The whip is made up of a flexible inner steel core covered by TPU so extremely resistant to collisions and maintaining its original shape and RF performance. The whip and the connection internally to the bracket is completely IP67 waterproof.

The bracket allows complete concealment of the cable for a more secure integration and cleaner installation. The cable can also be routed out of the back wall of the bracket into the interior of the mounting

wall for added security against vandalism. The standard version comes with 3 metres extremely low loss CFD200 (0.3dB against 0.7dB for RG58) to allow for flexibility of placement. The cable and connector can be completely customized, the whip itself can also be changed for different frequency bands or gain requirements.

2. Specification

Cellular

Frequency (MHz)	169
Peak Gain (dBi) *	0dBi
Average Gain (dBi) *	-3.9
Efficiency (%) *	40%
Impedance (Ω)	50
Polarization	Linear
Radiation Pattern	Omni
Input Power(W)	50

Mechanical

Dimensions (mm)	
Base Diameter (mm)	Ø16
Whip Diameter (mm)	Ø4
Casing	ABS
Connector	SMA(M)

Environmental

Temperature Range	-40°C to 85°C
Humidity	Non-condensing 65°C 95% RH

* For low frequency antennas these parameters can only be estimated using RF formula calculation, simulation or rough field test comparisons with large benchmark antennas.

3. Antenna Characteristics

3.1 Antenna Setup

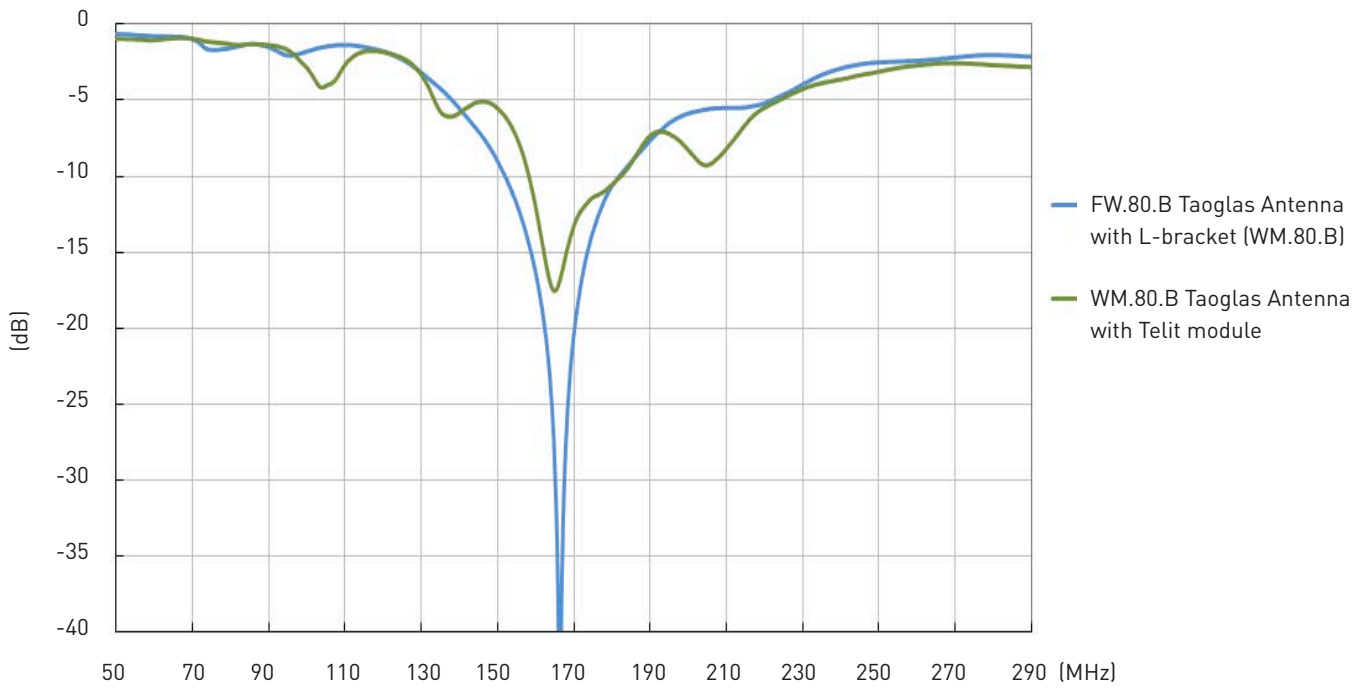


in free space

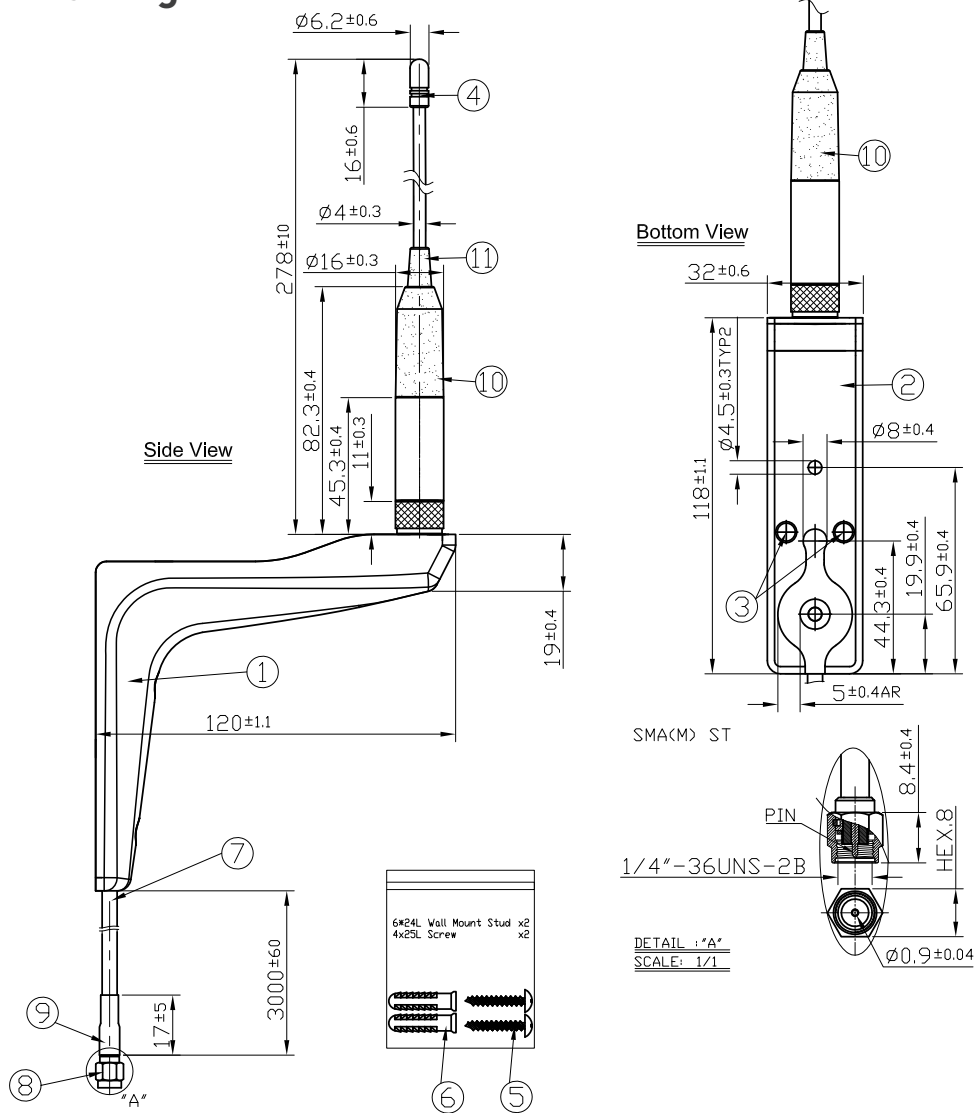


in free space, through
reference board

3.2 Return Loss



4. Antenna Drawing

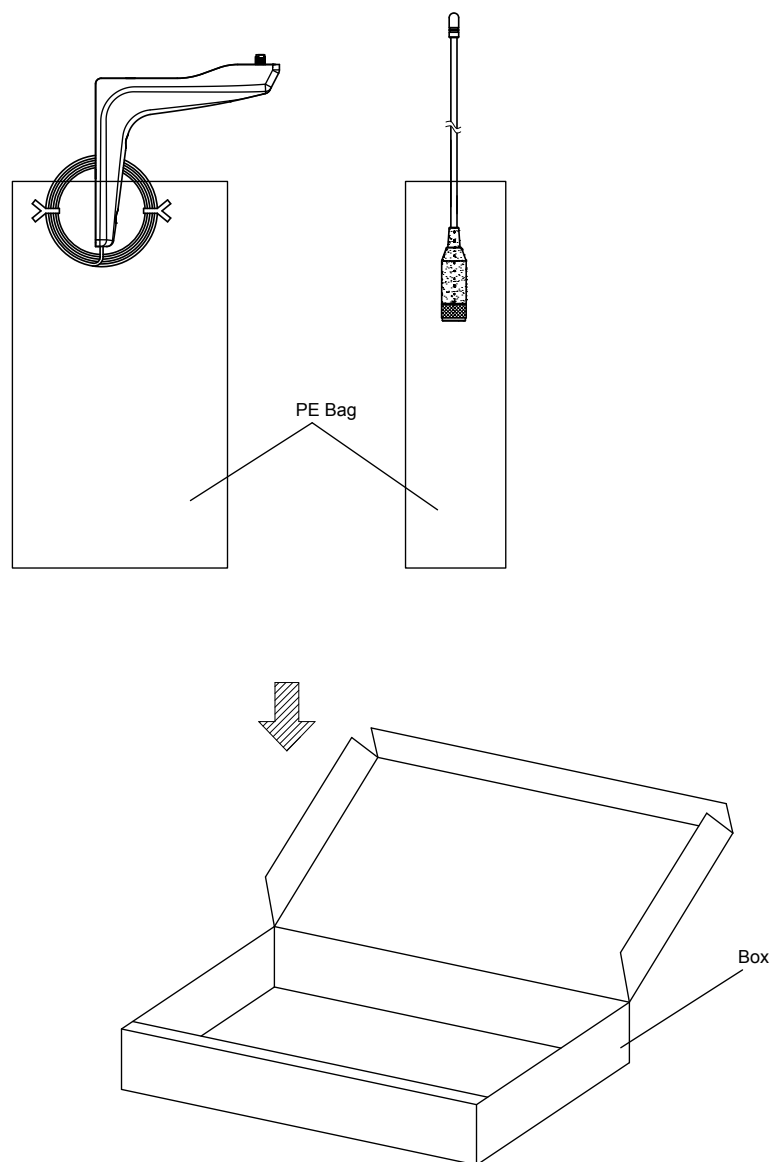


	Name	Material	Finish	QTY
1	Main Bracket	PC	Black	1
2	Back Bracket	SPCC	Black	1
3	3*8L Screw	Steel	Black	6
4	Cap	ABS	Black	1
5	4*25L Screw	Stainless Steel	Clear	2
6	6*24L Wall Mount Stud	Nylon	White	2
7	CFD 200 Cable	PVC Jacket	Black	1
8	SMA(M) ST	Brass	Gold	1
9	Heat Shrink Tube	PE	Black	1
10	Housing	ABS	Black	1
11	Flexible Whip	Steel+PE Jacket	Black	1

5. Packaging

1pcs antenna per big PE bag

2 PE bag per box



Taoglas makes no warranties based on the accuracy or completeness of the contents of this document and reserves the right to make changes to specifications and

product descriptions at any time without notice. Taoglas reserves all rights to this document and the information contained herein.

Reproduction, use or disclosure to third parties without express permission is strictly prohibited.
Copyright © Taoglas Ltd.