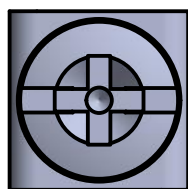
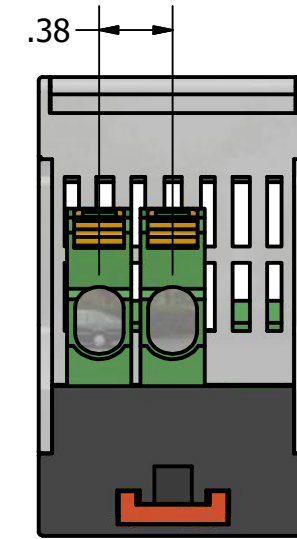
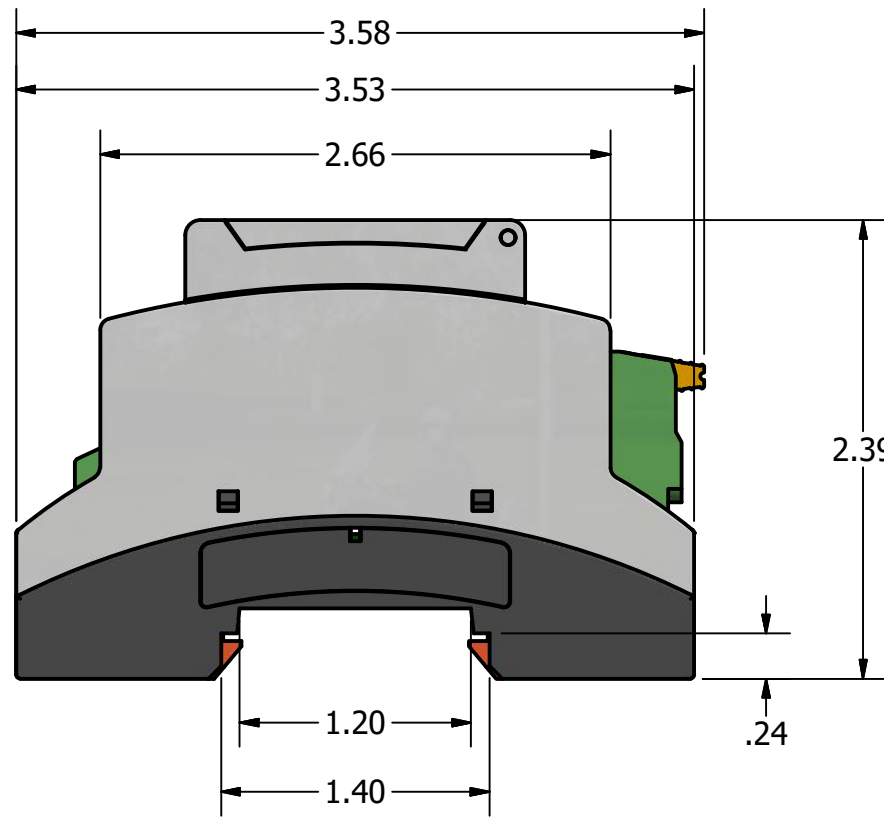
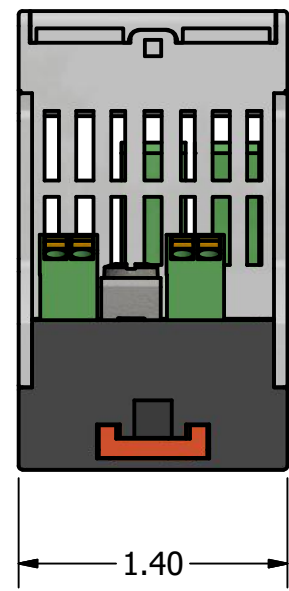
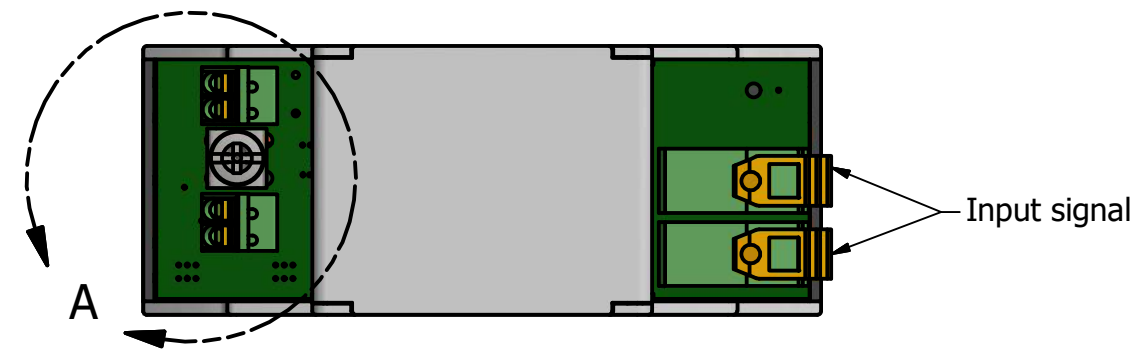
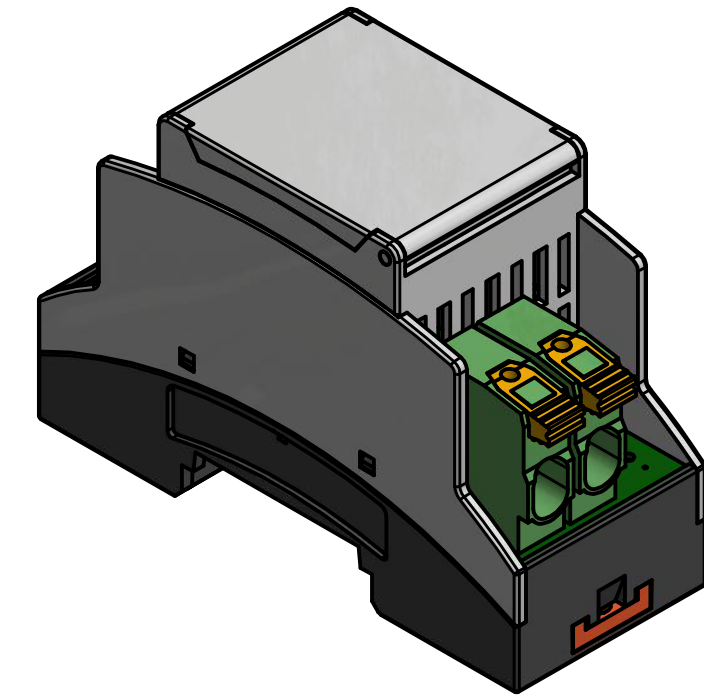
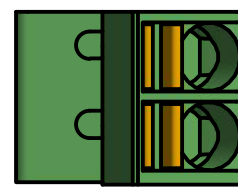


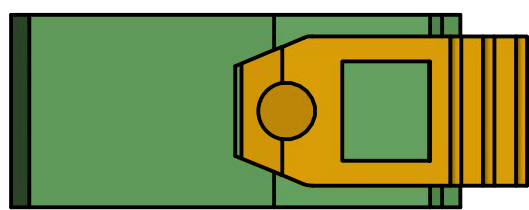
DETAIL A
SCALE 2 : 1




Ground lug
6/32 x 1/4L Screw
0.31" square surface
Brass, Nickel plate



Conductor cross section solid min.0.2 mm²
Conductor cross section solid max.1.5 mm²
Conductor cross section AWG min.24
Conductor cross section AWG max.16
Stripping length 8 mm



Conductor cross section AWG min.24
Conductor cross section AWG max.10
Conductor cross section min.0.2 mm²
Conductor cross section max.6 mm²
Stripping length 12 mm
Rated surge voltage (III/3) 8 kV

DRAWN J. Lizarazo	30/05/2015			
CHECKED				
QA		IsoBlock V-1c		
MFG		SIZE C	DWG NO	REV
APPROVED		SCALE	SHEET 1 OF 1	